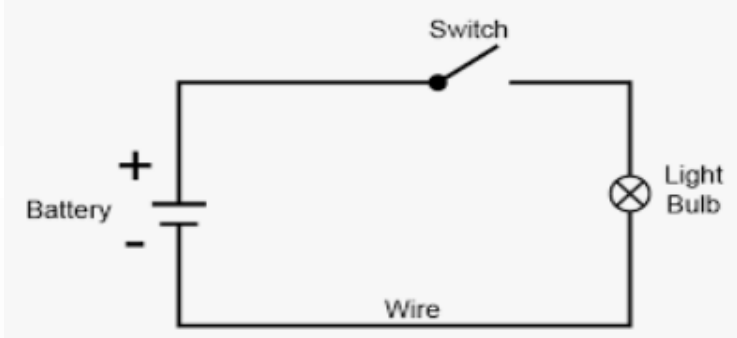


Electricity Personalities

Construction

Prior Knowledge

We will build on our English sequence from Year 3 of Wallace and Gromit Crazy contraptions and develop our knowledge of how machines can work using electricity.



My Component Knowledge:

Lesson 1: I can identify the dangers of electricity

Lesson 2: I can use scientific vocabulary to describe electricity as an energy source.

Lesson 3: I can explore how electrical components can be arranged to make a bulb light up and make predictions about different circuits.

Lesson 4: I can test different materials to test if they conduct electricity

Lesson 5: I can design a robot, person or animal that includes working electrical circuitry with a switch using mixed recycled packaging and materials.

Lesson 6: I can construct my model with working electronically components replacing crocodile clips with securing wiring.

My Composite Knowledge:

I can identify different conductors of electricity and create a simple circuit

Key Vocabulary

Tier 1:

Battery

Bulb

Metal

Plastic

Tier 2:

Buzzer

Motor

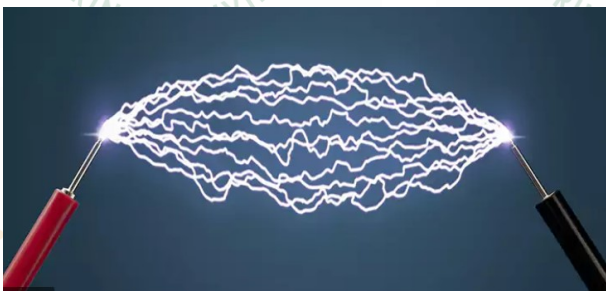
Tier 3:

Electrical conductor

open switch

bulb

battery



Why might a circuit fail?

What is a conductor?

What is electricity?

